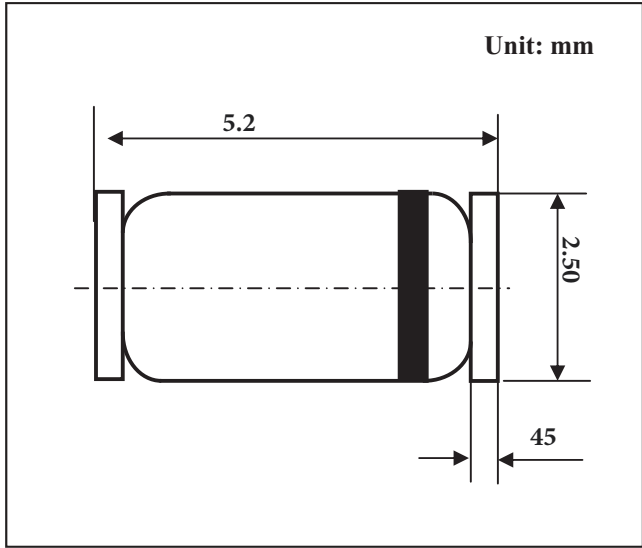


N9B9F JC@H5 ; 9 F5B ; 9. !!! J D95? DI@G9 DCK9F. a K

Š [, ĀÜ^ç^!•^ĀŠ^æ\æ*^
 Š [, ĀZ^}^ĀQ {]^Āæ}&^
 Glass passivated junction
 High Stability and High Reliability

MECHANICAL DATA
 Case: ŠŠ-41(GLASS) Āmolded Āglass Ābody
 Polarity: Color band denotes cathode end
 Mounting Position: Any



MAXIMUM RATINGS AND CHARACTERISTICS

Ratings at 25 ambient temperature unless otherwise specified

Parameters	Symbol	Value	Unit
Power Dissipation	Pd	1000 ¹⁾	mW
Operating junction temperature	Tj	175	
Storage temperature range	Ts	-55-+150	

1) Valid provided that leads are kept at ambient temperature at a distance of 8mm from case

(TA=25°C unless otherwise specified)

TYPE	Zener Voltage		Reverse Current		Dynamic Resistance	
	Vz(V)	Test Condition	IR(-A)	Test Condition	rd()	Test Condition
	nom	Iz(mA)	Max.	VR(V)	Max.	Iz(mA)
DL4728A	3.3	76.0	100	1.0	10	76.0
DL 4729A	3.6	69.0	100	1.0	10	69.0
DL 4730A	3.9	64.0	50	1.0	9	64.0
DL 4731A	4.3	58.0	10	1.0	9	58.0
DL 4732A	4.7	53.0	10	1.0	8	53.0
DL 4733A	5.1	49.0	10	1.0	7	49.0
DL 4734A	5.6	45.0	10	2.0	5	45.0
DL 4735A	6.2	41.0	10	3.0	2	41.0

